

RST Levels:
 P0.0=0,P3.0=0:12V
 P0.0=0,P3.0=1:Vih
 P0.0=1,P3.0=0: 0V
 P0.0=1,P3.0=1: 0V

All switches OFF means Verify only
 All ON means Erase>Prog>Protect>Lock

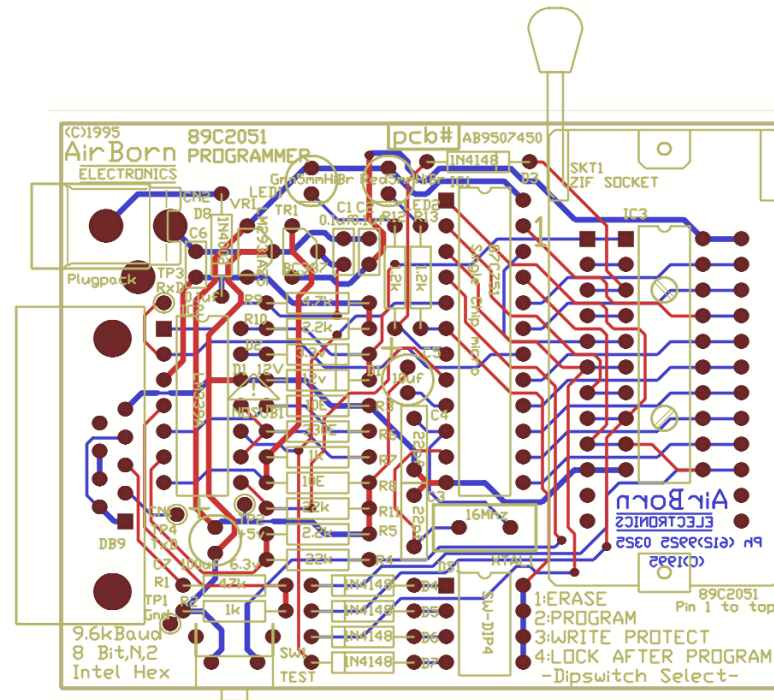
(C)1995
Air Born
 ELECTRONICS

To engage factory diag, place 0.1uF between pins 9&10 of AT89C2051 at power on, watch all lines with scope.

PCB LAM#1.
 AB9507450

Title AT89C2051 Programmer		
Size A4	Number AB9507450	Revision V1.01
Date: 17 Jul 1995	Sheet 1	of 1
File: Z:\asrc\pg2051\pg2051_1	Drawn By:	sm

pg2051_1 pcb overlay



pg2051_1 pcb photo

