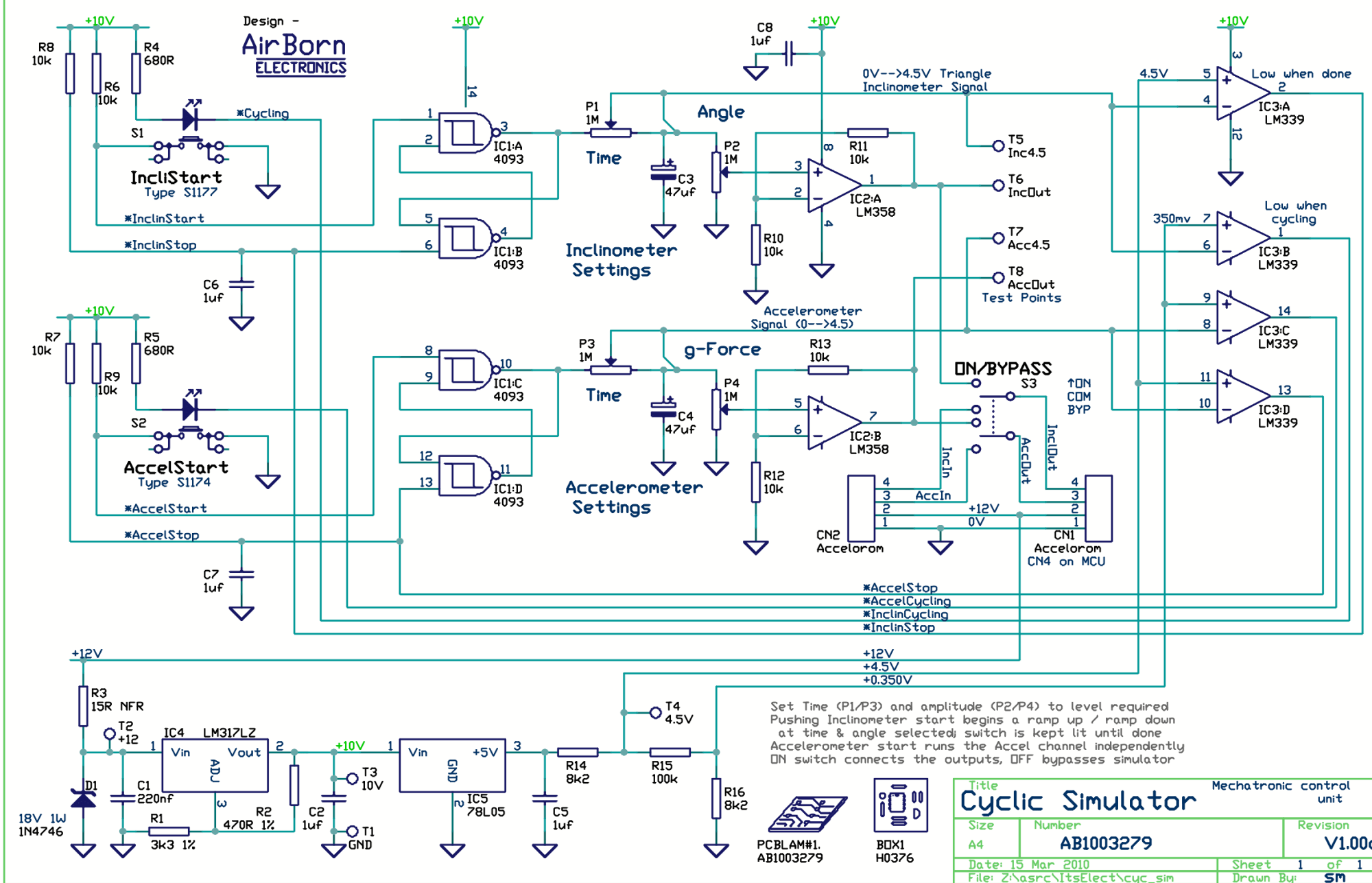


Design -
AirBorn
ELECTRONICS



Set Time (P1/P3) and amplitude (P2/P4) to level required
Pushing InclInclinometer start begins a ramp up / ramp down
at time & angle selected; switch is kept lit until done
Accelerometer start runs the Accel channel independently
ON switch connects the outputs, OFF bypasses simulator

PCBLAM#1.
AB1003279

BOX1
H0376

Title		Mechatronic control unit	
Cyclic Simulator			
Size	Number	Revision	
A4	AB1003279	V1.00d	
Date: 15 Mar 2010		Sheet 1 of 1	
File: Z:\asrc\ItsElect\cyc_sim		Drawn By: SM	

cyc_sim pcb overlay

