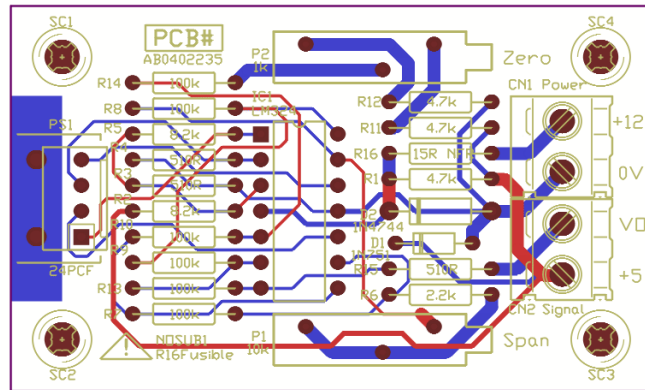


PCB LAM#1.
AB0402235

| Title | | | |
|-------------------------------|-----------|----------|--|
| Pressure sensor PCB | | | |
| Size | Number | Revision | |
| A4 | AB0402235 | V1.10a | |
| Date: 24 Feb 2004 | Sheet 1 | of 1 | |
| File: Z:\src\jdickens\psensor | Drawn By: | sm | |

psensor pcb overlay



psensor pcb photo

