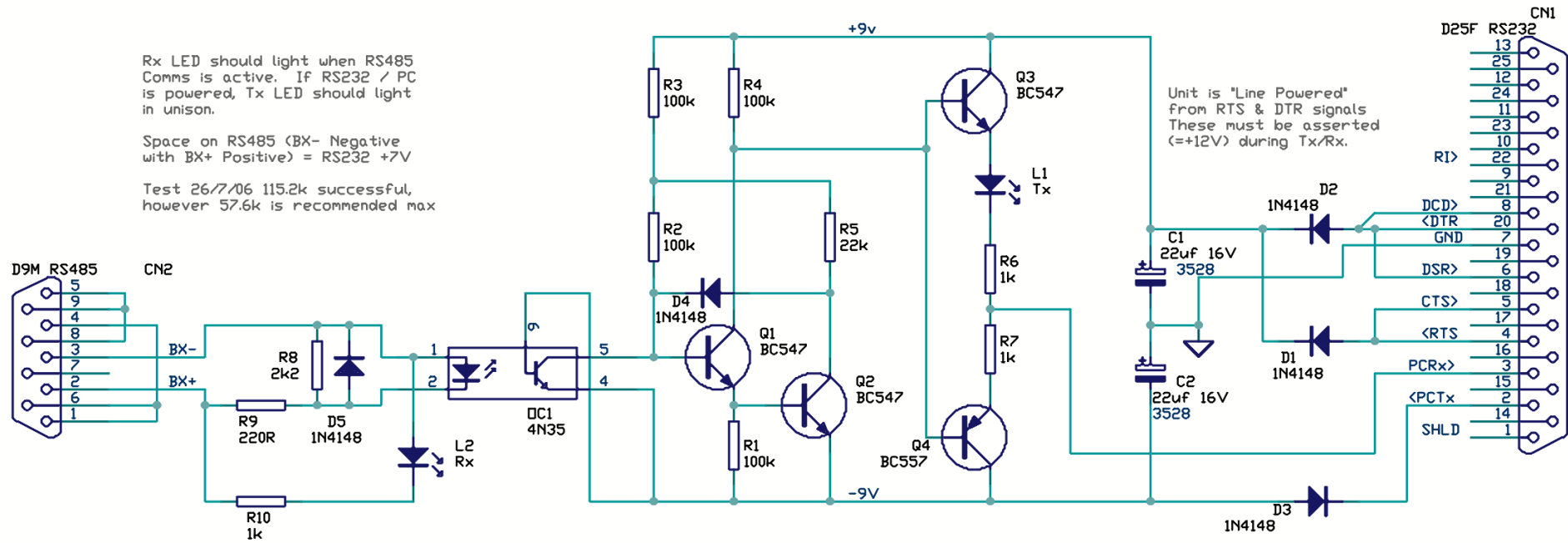


Rx LED should light when RS485 Comms is active. If RS232 / PC is powered, Tx LED should light in unison.

Space on RS485 (BX- Negative with BX+ Positive) = RS232 +7V

Test 26/7/06 115.2k successful, however 57.6k is recommended max



(C)2006

Air Born
ELECTRONICS

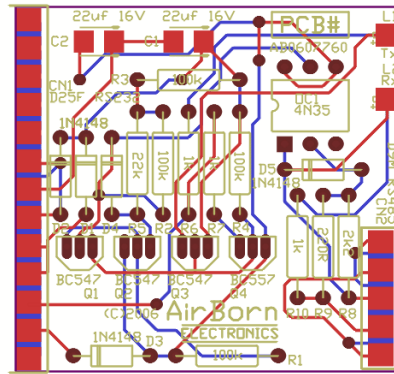


PCB LAM#1.
AB0607760

Title
Fire panel to RS232

Size A4	Number AB0607760	Revision V1.00a
Date: 26 Jul 2006	Sheet 1 of 1	Drawn By: sm
File: Z:\srcold\lcm\firepint\firepint		

firepint pcb overlay



firepint pcb photo

